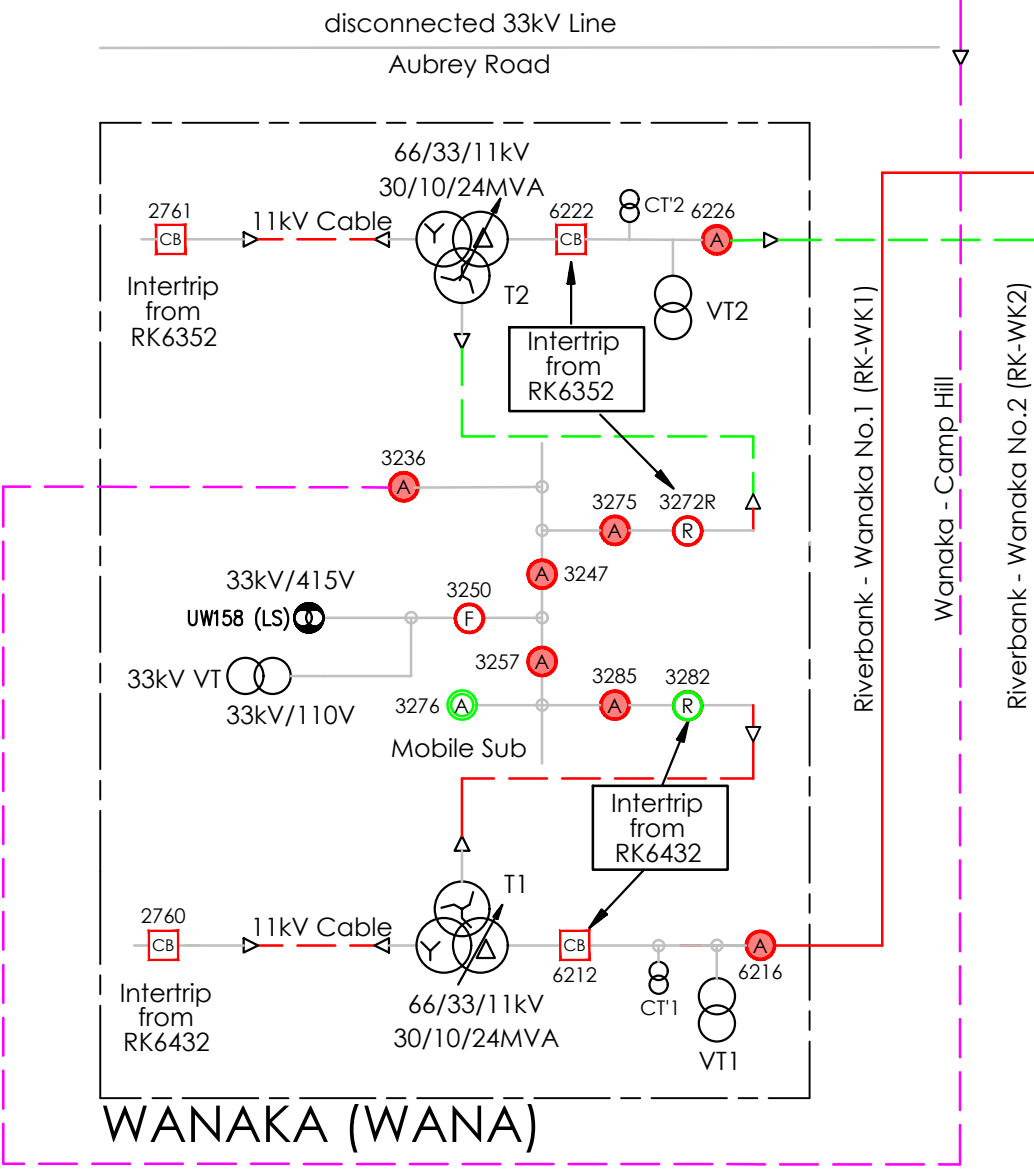
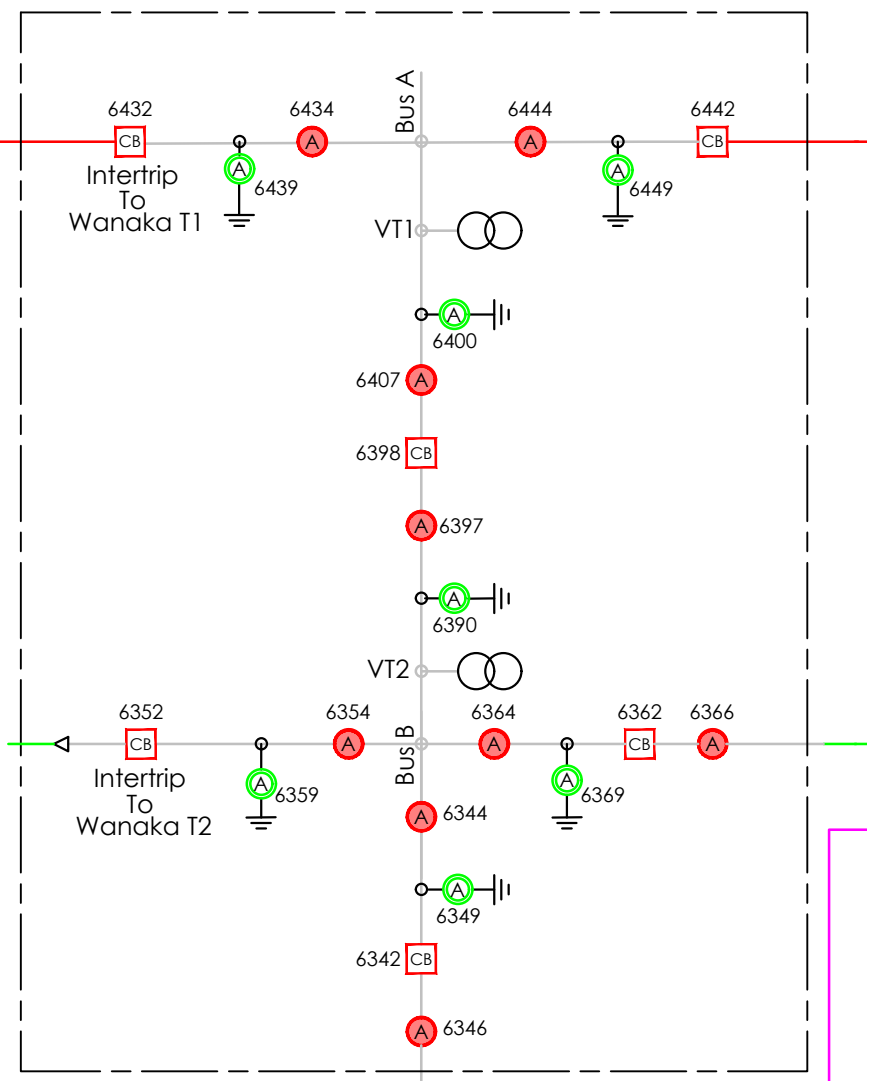
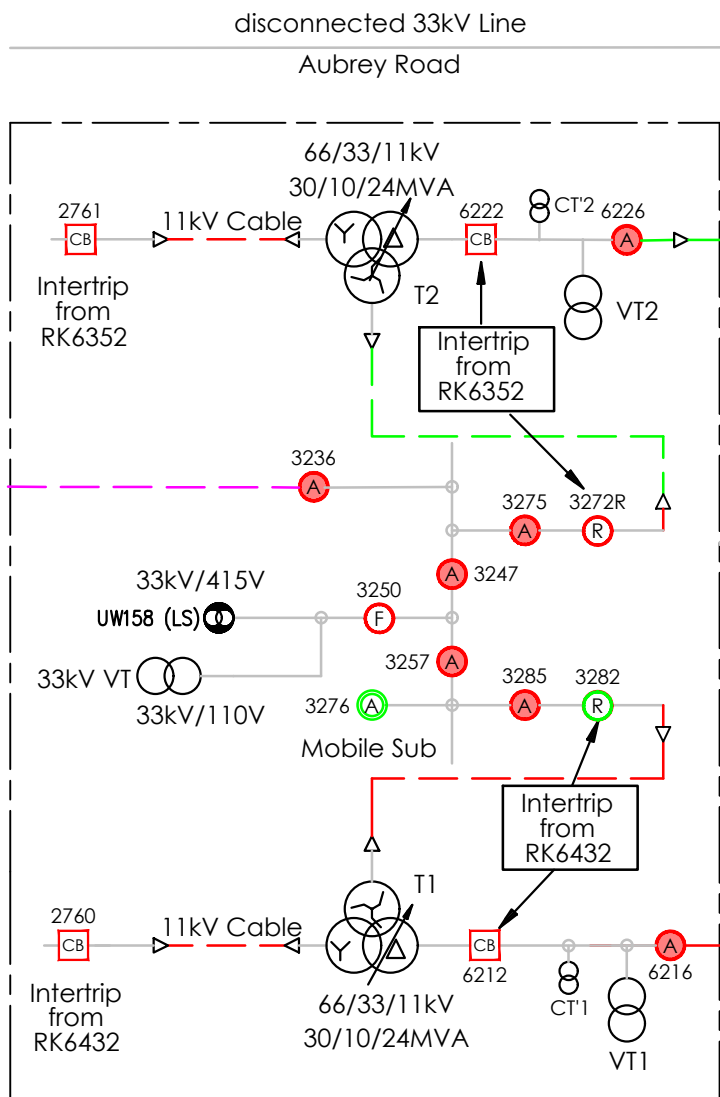
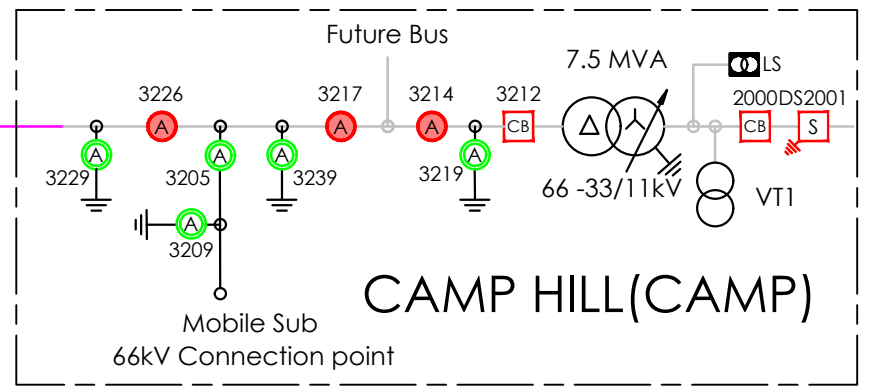


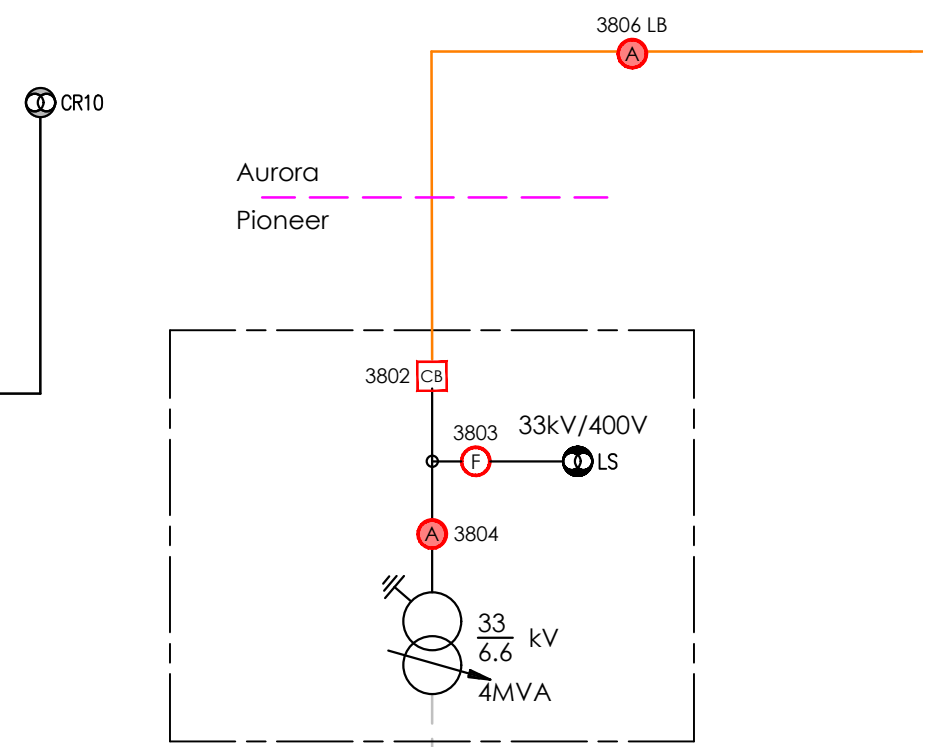
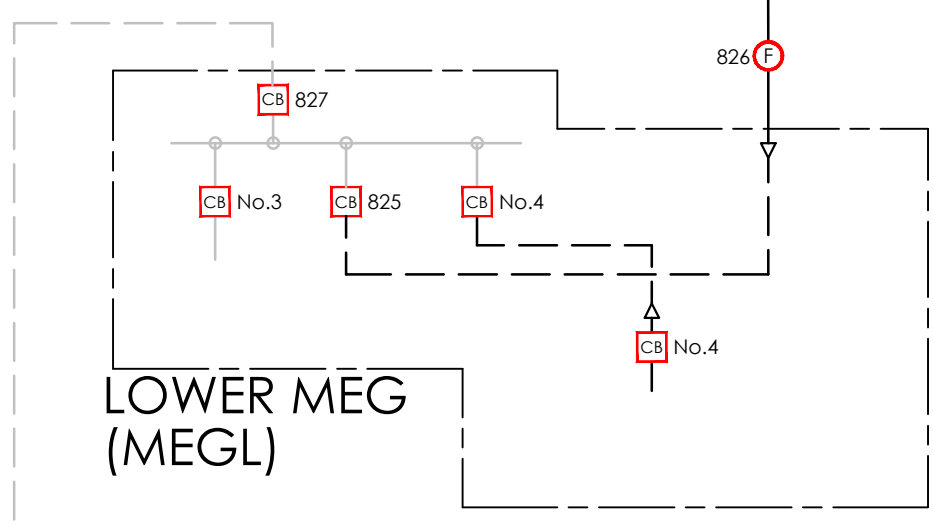
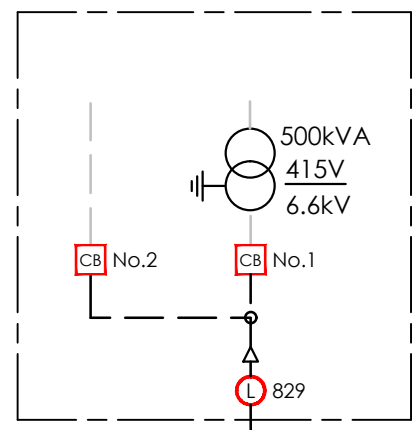
UPPER CLUTHA 33/66kV



Riverbank - Cardrona (RK-CA1)

3B/05E/017
 Issue T
 30/01/26
 BY CKD APPD
 MGB DCH DAT

UPPER MEG (MEGU)



Aurora
 Pioneer